

**PUMP INFORMATION**

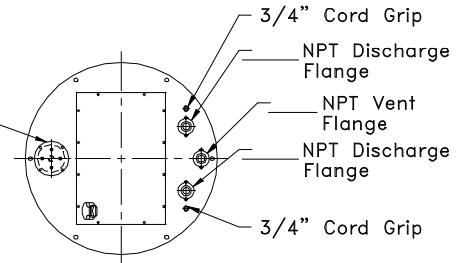
- Type:  Sump Pump(s)  
 Grinder Pump(s)  
 Non-Clog Pump(s)

Model NO: \_\_\_\_\_  
 Rating: \_\_\_\_\_ GPM \_\_\_\_\_ TDH  
 Motor: \_\_\_\_\_ HP \_\_\_\_\_ RPM  
 Elec: \_\_\_\_\_ PH \_\_\_\_\_ HZ \_\_\_\_\_ v  
 Elec: \_\_\_\_\_ FL AMPS

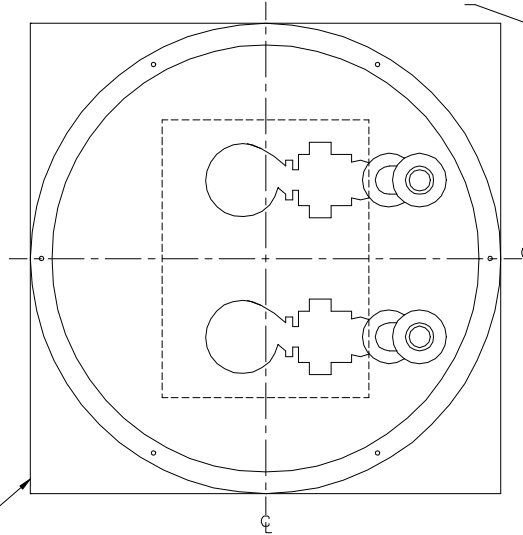
**DISCHARGE PIPE**

- 304 Stainless Steel  
 Sch40 Galvanized Steel  
 Sch80 PVC Pipe  
 3"  
 4"

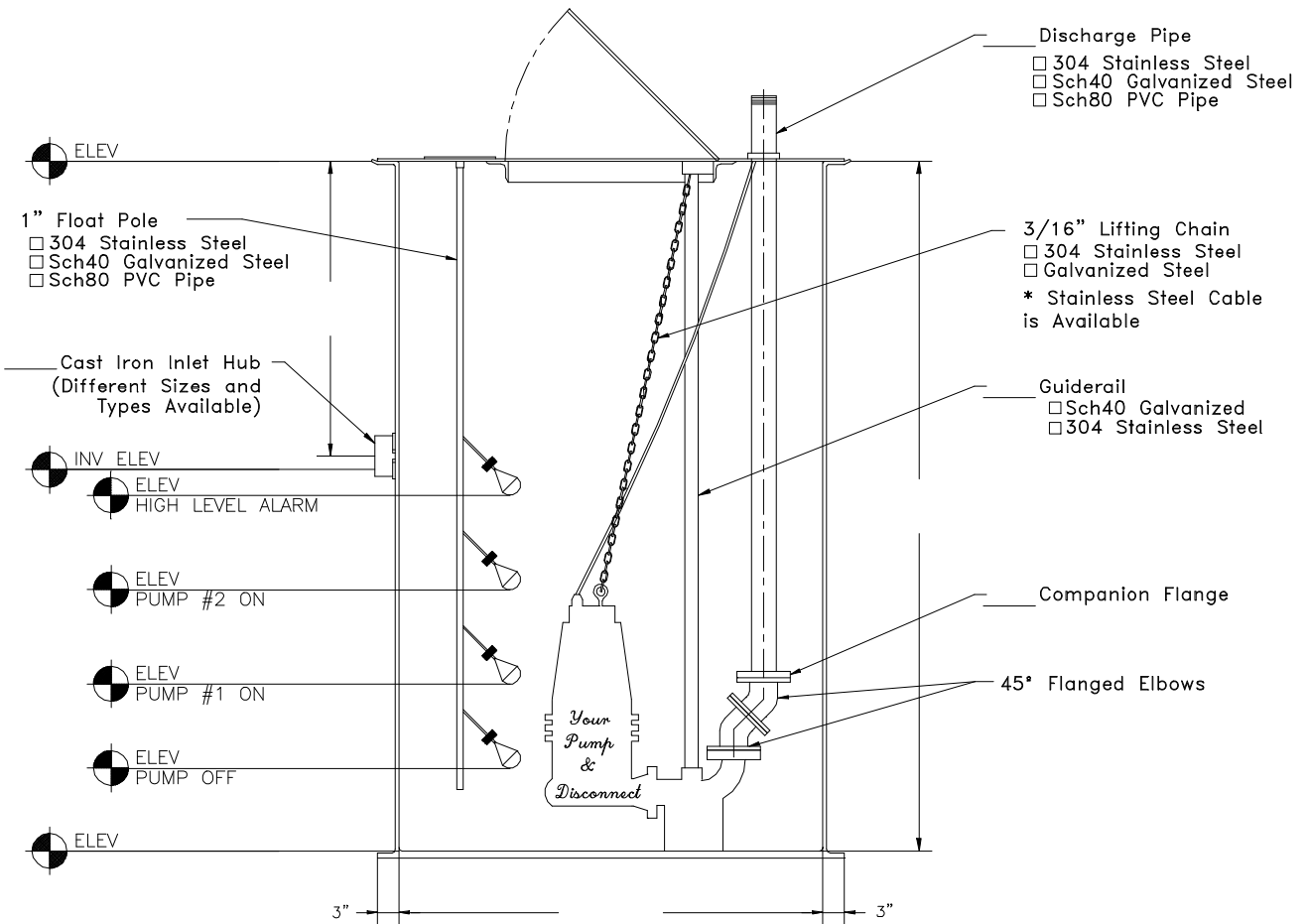
Inspection Plate  
 with (4) 1/2" Cord Grips and  
 1" Coupling



**Gas Tight Hatch Cover**  
 Fiberglass  Aluminum  Steel



- Anti-Floation Flange  
 Fiberglass Encapsulated  
 ASTM A-36 Square Steel  
 Round Fiberglass  
 None



- ELEV \_\_\_\_\_  
 1" Float Pole  
 304 Stainless Steel  
 Sch40 Galvanized Steel  
 Sch80 PVC Pipe  
 Cast Iron Inlet Hub  
 (Different Sizes and  
 Types Available)  
 INV ELEV \_\_\_\_\_  
 ELEV HIGH LEVEL ALARM \_\_\_\_\_  
 ELEV PUMP #2 ON \_\_\_\_\_  
 ELEV PUMP #1 ON \_\_\_\_\_  
 ELEV PUMP OFF \_\_\_\_\_  
 ELEV \_\_\_\_\_

- Discharge Pipe  
 304 Stainless Steel  
 Sch40 Galvanized Steel  
 Sch80 PVC Pipe  
 3/16" Lifting Chain  
 304 Stainless Steel  
 Galvanized Steel  
 \* Stainless Steel Cable  
 is Available  
 Guiderail  
 Sch40 Galvanized  
 304 Stainless Steel

- Companion Flange  
 45° Flanged Elbows

3" \_\_\_\_\_ 3"



Prefabricated Fiberglass Duplex Lift Station Reference: Duplex Base Elbow Flanged Top Discharge	Scale: None Drawn By: RM App'd By: . Date: 06/03/03	This print is and contains confidential proprietary information owned exclusively by TOPP INDUSTRIES, INC. It is furnished on a strictly confidential basis. This restriction includes, but is not limited to the condition that this print will not be used as a record or to identify or inspect parts or for other information purposes and will not be used to manufacture or procure the manufacture of the items shown in this print by any other source than TOPP INDUSTRIES, INC.
Highway 25 North P.O. Box 420 Rochester, IN 46975 Phone: 800/354-4534 Fax: 574/223-6106	Supersedes Prints Prior To: 06/03/03	Reference No: 16844

Revisions	
(A)	First Released.